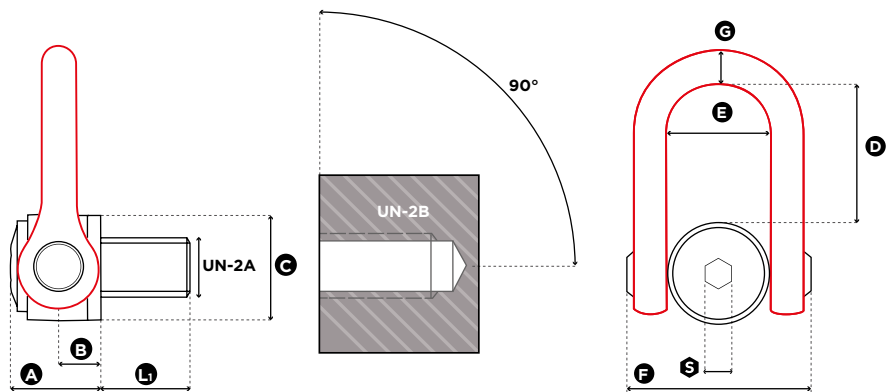


# DSS 8UN

8UN THREADS

## DOUBLE SWIVEL SHACKLE



1 in = 25.4 mm

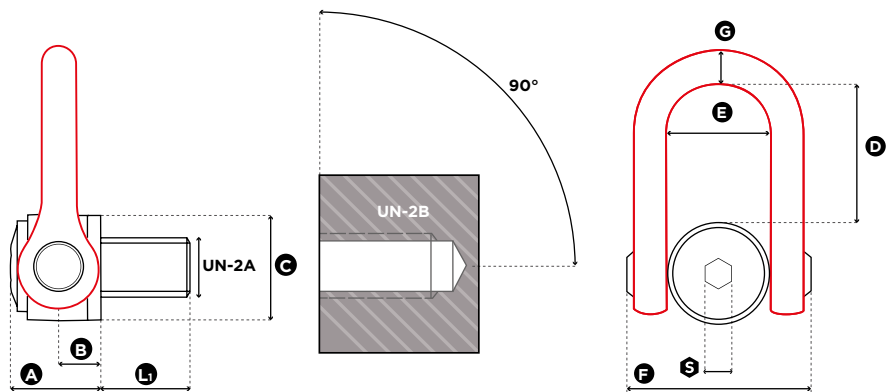
Reference	Diameter	SF 5:1 WLL (lbs)	SF 4:1 WLL (lbs)	Standard L1 (mm)	Torque (ft-lb)	S (mm)	A (mm)	B (mm)	C (mm)	D (mm)	E (mm)	F (mm)	G (mm)	Weight	
														(kg)	(lbs)
DSS U 118 8UN	UN 1" 1/8-8	11,000	11,000	45	150	19	61	31	70	98	73	149	33	5,4	11.90
DSS U 125 8UN	UN 1" 1/4-8	14,000	14,000	45	200	19	61	31	70	98	73	149	33	5,4	11.90
DSS U 138 8UN	UN 1" 3/8-8	20,000	20,000	54	240	19	61	31	70	98	73	149	33	5,4	11.90
DSS U 150 8UN	UN 1" 1/2-8	20,000	20,000	54	240	19	61	31	70	98	73	149	33	5,4	11.90
DSS U 175 8UN	UN 1" 3/4-8	27,000	27,000	63	300	19	61	31	70	98	73	149	33	5,9	13.01
DSS U 200 8UN	UN 2"-8	50,000	50,000	76	450	19	79	38	90	123	91	182	45	11,1	24.47

02.2024

# DSS 8UN

8UN THREADS (INCH)

## DOUBLE SWIVEL SHACKLE



1 in = 25.4 mm

Reference	Diameter	SF 5:1 WLL (lbs)	SF 4:1 WLL (lbs)	Standard L1 (inch)	Torque (ft-lb)	S (inch)	A (inch)	B (inch)	C (inch)	D (inch)	E (inch)	F (inch)	G (inch)	Weight	
														(kg)	(lbs)
DSS U 118 8UN	UN 1" 1/8-8	11,000	11,000	1.77	150	0.75	2.40	1.22	2.76	3.86	2.87	5.87	1.30	5,4	11.90
DSS U 125 8UN	UN 1" 1/4-8	14,000	14,000	1.77	200	0.75	2.40	1.22	2.76	3.86	2.87	5.87	1.30	5,4	11.90
DSS U 138 8UN	UN 1" 3/8-8	20,000	20,000	2.13	240	0.75	2.40	1.22	2.76	3.86	2.87	5.87	1.30	5,4	11.90
DSS U 150 8UN	UN 1" 1/2-8	20,000	20,000	2.13	240	0.75	2.40	1.22	2.76	3.86	2.87	5.87	1.30	5,4	11.90
DSS U 175 8UN	UN 1" 3/4-8	27,000	27,000	2.48	300	0.75	2.40	1.22	2.76	3.86	2.87	5.87	1.30	5,9	13.01
DSS U 200 8UN	UN 2"-8	50,000	50,000	2.99	450	0.75	3.11	1.50	3.54	4.84	3.58	7.17	1.77	11,1	24.47