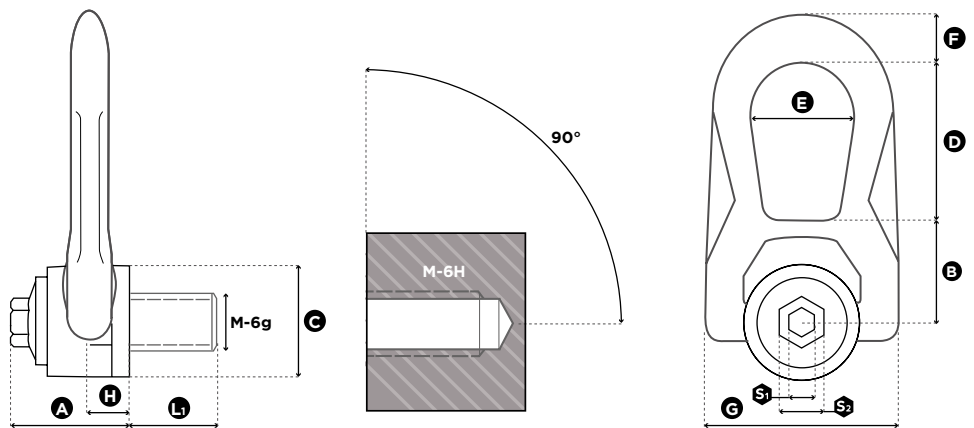


SS.DSR

STAINLESS STEEL DOUBLE SWIVEL RING

METRIC THREADS



1 in = 25.4 mm

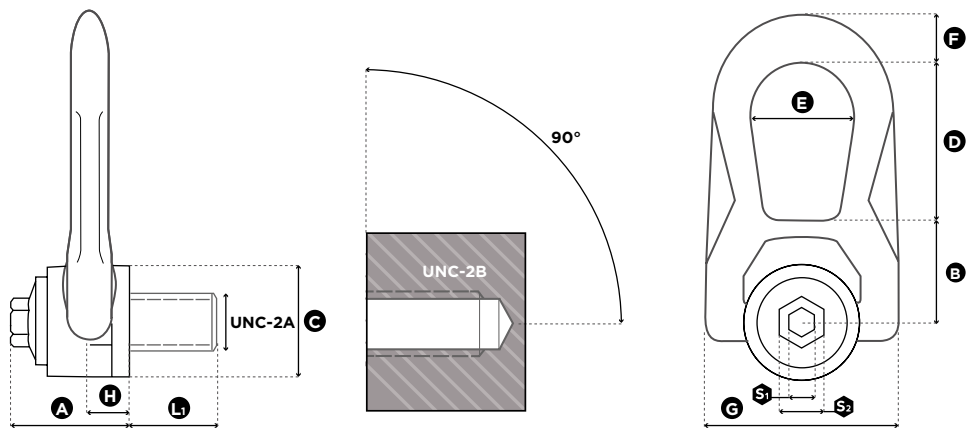
Reference	Diameter	SF 5:1 WLL (t)	SF 4:1 WLL (t)	Standard L1 (mm)	Torque (Nm)	S ₁ (mm)	S ₂ (mm)	A (mm)	B (mm)	C (mm)	D (mm)	E (mm)	F (mm)	G (mm)	H (mm)	Weight	
																(kg)	(lbs)
SS.DSR M 6	M 6 (x1)	0,10	0,15	15	4	8	16	32	30	30	39	28	13	53	9,5	0,3	0,66
SS.DSR M 8	M 8 (x1,25)	0,30	0,30	16	6	8	16	32	30	30	39	28	13	53	9,5	0,3	0,66
SS.DSR M 10	M 10 (x1,50)	0,50	0,50	16	10	8	16	32	30	30	39	28	13	53	9,5	0,3	0,66
SS.DSR M 12	M 12 (x1,75)	0,80	0,80	19	15	8	16	32	30	30	39	28	13	53	9,5	0,3	0,66
SS.DSR M 14	M 14 (x2)	1,00	1,00	29	30	8	20	44	40	45	53	38	17	76	13	0,9	1,98
SS.DSR M 16	M 16 (x2)	1,40	1,50	26	50	8	20	44	40	45	53	38	17	76	13	0,9	1,98
SS.DSR M 18	M 18 (x2,5)	1,40	1,50	30	70	8	20	44	40	45	53	38	17	76	13	1,0	2,20
SS.DSR M 20	M 20 (x2,5)	1,40	1,60	30	100	8	20	44	40	45	53	38	17	76	13	1,0	2,20
SS.DSR M 22	M 22 (x2,5)	2,20	2,20	42	120	14	24	62	55	60	83	56	25	115	19	2,5	5,51
SS.DSR M 24	M 24 (x3)	2,70	2,70	42	160	14	24	62	55	60	83	56	25	115	19	2,6	5,73
SS.DSR M 27	M 27 (x3)	2,80	2,90	42	200	14	24	62	55	60	83	56	25	115	19	2,7	5,95
SS.DSR M 30	M 30 (x3,5)	3,00	3,50	47	250	14	24	62	55	60	83	56	25	115	19	2,8	6,17

02.2024

SS.DSR

STAINLESS STEEL DOUBLE SWIVEL RING

UNC THREADS



1 in = 25.4 mm

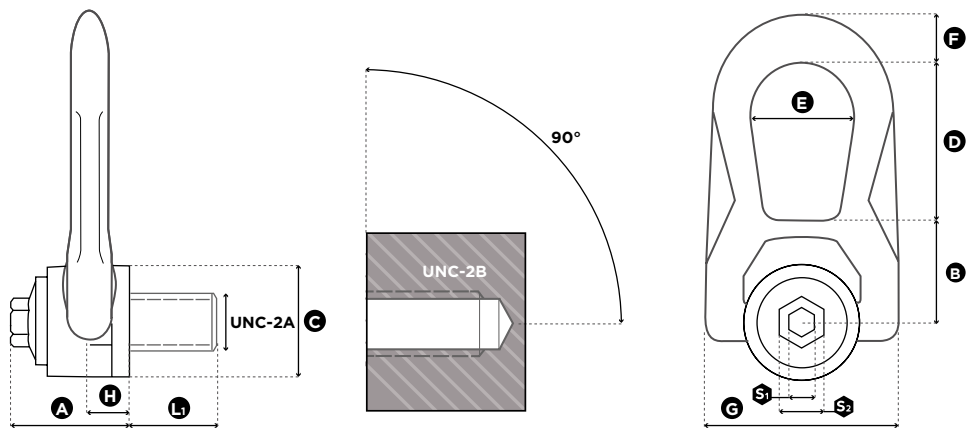
Reference	Diameter	SF 5:1 WLL (lbs)	SF 4:1 WLL (lbs)	Standard L ₁ (mm)	Torque (ft-lb)	S ₁ (mm)	S ₂ (mm)	A (mm)	B (mm)	C (mm)	D (mm)	E (mm)	F (mm)	G (mm)	H (mm)	Weight	
																(kg)	(lbs)
SS.DSR U 025	UNC 1/4"-20	400	500	13	3	8	16	32	30	30	39	28	13	53	9,5	0,3	0.66
SS.DSR U 516	UNC 5/16"-18	600	650	15	5	8	16	32	30	30	39	28	13	53	9,5	0,3	0.66
SS.DSR U 038	UNC 3/8"-16	1,000	1,000	17	8	8	16	32	30	30	39	28	13	53	9,5	0,3	0.66
SS.DSR U 050	UNC 1/2"-13	1,800	1,850	21	12	8	16	32	30	30	39	28	13	53	9,5	0,3	0.66
SS.DSR U 058	UNC 5/8"-11	2,500	3,000	27	40	8	20	44	40	45	53	38	17	76	13	0,9	1.98
SS.DSR U 075	UNC 3/4"-10	3,600	3,800	30	80	8	20	44	40	45	53	38	17	76	13	0,9	1.98
SS.DSR U 078	UNC 7/8"-9	5,000	5,100	33	90	14	24	62	55	60	83	56	25	115	19	2,5	5.51
SS.DSR U 100	UNC 1"-8	6,000	6,000	36	125	14	24	62	55	60	83	56	25	115	19	2,6	5.73

02.2024

SS.DSR

STAINLESS STEEL DOUBLE SWIVEL RING

UNC THREADS (INCH)



1 in = 25.4 mm

Reference	Diameter	SF 5:1 WLL (lbs)	SF 4:1 WLL (lbs)	Standard L ₁ (inch)	Torque (ft-lb)	S ₁ (inch)	S ₂ (inch)	A (inch)	B (inch)	C (inch)	D (inch)	E (inch)	F (inch)	G (inch)	H (inch)	Weight	
																(kg)	(lbs)
SS.DSR U 025	UNC 1/4"-20	400	500	0.51	3	0.31	0.63	1.26	1.18	1.18	1.54	1.10	0.51	2.09	0.37	0.3	0.66
SS.DSR U 516	UNC 5/16"-18	600	650	0.59	5	0.31	0.63	1.26	1.18	1.18	1.54	1.10	0.51	2.09	0.37	0.3	0.66
SS.DSR U 038	UNC 3/8"-16	1,000	1,000	0.67	8	0.31	0.63	1.26	1.18	1.18	1.54	1.10	0.51	2.09	0.37	0.3	0.66
SS.DSR U 050	UNC 1/2"-13	1,800	1,850	0.83	12	0.31	0.63	1.26	1.18	1.18	1.54	1.10	0.51	2.09	0.37	0.3	0.66
SS.DSR U 058	UNC 5/8"-11	2,500	3,000	1.06	40	0.31	0.79	1.73	1.57	1.77	2.09	1.50	0.67	2.99	0.51	0.9	1.98
SS.DSR U 075	UNC 3/4"-10	3,600	3,800	1.18	80	0.31	0.79	1.73	1.57	1.77	2.09	1.50	0.67	2.99	0.51	0.9	1.98
SS.DSR U 078	UNC 7/8"-9	5,000	5,100	1.30	90	0.55	0.94	2.44	2.17	2.36	3.27	2.20	0.98	4.53	0.75	2.5	5.51
SS.DSR U 100	UNC 1"-8	6,000	6,000	1.42	125	0.55	0.94	2.44	2.17	2.36	3.27	2.20	0.98	4.53	0.75	2.6	5.73

02.2024