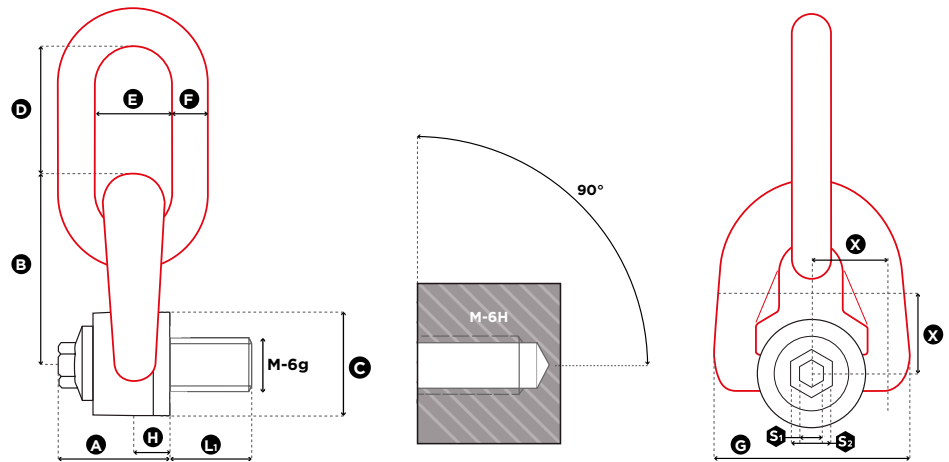


# TSR

METRIC THREADS

## TRIPLE SWIVEL RING



1 in = 25.4 mm

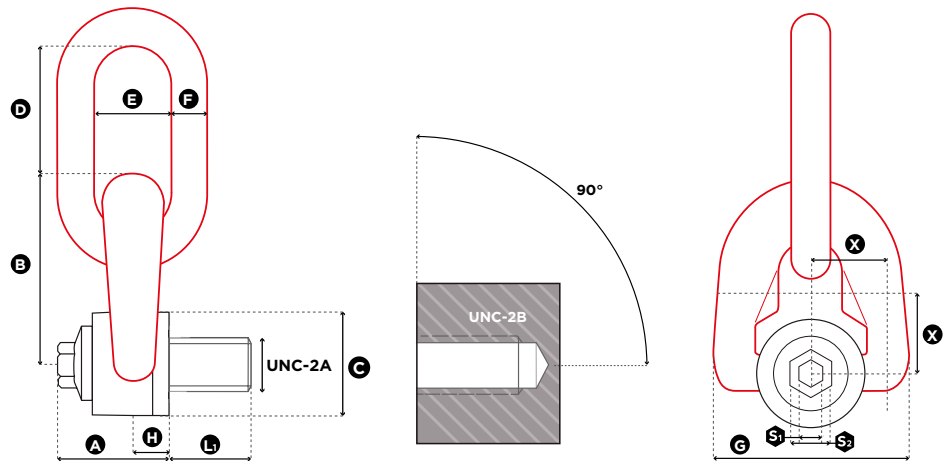
| Reference | Diameter     | SF 5:1 WLL (t) | Standard L <sub>1</sub> (mm) | Torque (Nm) |    | S <sub>1</sub> (mm) | S <sub>2</sub> (mm) | A (mm) | B (mm) | C (mm) | D (mm) | E (mm) | F (mm) | G (mm) | H (mm) | Weight |       |
|-----------|--------------|----------------|------------------------------|-------------|----|---------------------|---------------------|--------|--------|--------|--------|--------|--------|--------|--------|--------|-------|
|           |              |                |                              |             |    |                     |                     |        |        |        |        |        |        |        |        | (kg)   | (lbs) |
| TSR M 8   | M 8 (x1,25)  | 0,40           | 15                           | 6           | 18 | 8                   | 16                  | 33     | 56     | 30     | 41     | 25     | 10     | 58     | 9,5    | 0,4    | 0.88  |
| TSR M 10  | M 10 (x1,50) | 0,70           | 18                           | 10          | 18 | 8                   | 16                  | 33     | 56     | 30     | 41     | 25     | 10     | 58     | 9,5    | 0,4    | 0.88  |
| TSR M 12  | M 12 (x1,75) | 1,05           | 21                           | 15          | 18 | 8                   | 16                  | 33     | 56     | 30     | 41     | 25     | 10     | 58     | 9,5    | 0,4    | 0.88  |
| TSR M 14  | M 14 (x2)    | 1,40           | 23                           | 30          | 24 | 8                   | 20                  | 45     | 81     | 45     | 48     | 34     | 16     | 79     | 13,0   | 1,1    | 2.43  |
| TSR M 16  | M 16 (x2)    | 2,00           | 27                           | 50          | 24 | 8                   | 20                  | 45     | 81     | 45     | 48     | 34     | 16     | 79     | 13,0   | 1,2    | 2.65  |
| TSR M 18  | M 18 (x2,5)  | 2,30           | 27                           | 70          | 24 | 8                   | 20                  | 45     | 81     | 45     | 48     | 34     | 16     | 79     | 13,0   | 1,2    | 2.65  |
| TSR M 20  | M 20 (x2,5)  | 2,50           | 30                           | 100         | 24 | 8                   | 20                  | 45     | 81     | 45     | 48     | 34     | 16     | 79     | 13,0   | 1,2    | 2.65  |
| TSR M 22* | M 22 (x2,5)  | 3,00           | 33                           | 120         | 45 | 14                  | 24                  | 62     | 105    | 60     | 80     | 45     | 20     | 106    | 19,0   | 2,8    | 6.17  |
| TSR M 24* | M 24 (x3)    | 4,00           | 36                           | 160         | 45 | 14                  | 24                  | 62     | 105    | 60     | 80     | 45     | 20     | 106    | 19,0   | 2,9    | 6.39  |
| TSR M 27* | M 27 (x3)    | 5,00           | 36                           | 200         | 45 | 14                  | 24                  | 62     | 105    | 60     | 80     | 45     | 20     | 106    | 19,0   | 2,9    | 6.39  |
| TSR M 30* | M 30 (x3,5)  | 6,30           | 45                           | 250         | 45 | 14                  | 24                  | 62     | 105    | 60     | 80     | 45     | 20     | 106    | 19,0   | 3,0    | 6.61  |
| TSR M 36* | M 36 (x4)    | 10,00          | 54                           | 320         | 54 | 19                  | 30                  | 81     | 140    | 80     | 111    | 71     | 30     | 148    | 26,5   | 7,6    | 16.76 |
| TSR M 42* | M 42 (x4,5)  | 12,50          | 63                           | 400         | 58 | 19                  | 30                  | 84     | 146    | 80     | 111    | 71     | 30     | 148    | 26,5   | 7,8    | 17.20 |

| Reference | Diameter    | SF 4:1 WLL (t) | Standard L <sub>1</sub> (mm) | Torque (Nm) |    | S <sub>1</sub> (mm) | S <sub>2</sub> (mm) | A (mm) | B (mm) | C (mm) | D (mm) | E (mm) | F (mm) | G (mm) | H (mm) | Weight |       |
|-----------|-------------|----------------|------------------------------|-------------|----|---------------------|---------------------|--------|--------|--------|--------|--------|--------|--------|--------|--------|-------|
|           |             |                |                              |             |    |                     |                     |        |        |        |        |        |        |        |        | (kg)   | (lbs) |
| TSR M 48  | M 48 (x5)   | 20,00          | 68                           | 600         | 69 | 19                  | 30                  | 100    | 178    | 110    | 135    | 90     | 42     | 180    | 33,0   | 17,5   | 38.58 |
| TSR M 56  | M 56 (x5,5) | 22,00          | 78                           | 600         | 73 | 19                  | 30                  | 104    | 184    | 110    | 135    | 90     | 42     | 190    | 33,0   | 18,0   | 39.68 |

\* On request / Sur demande / Auf Anfrage / Bajo solicitud

03.2024

## TRIPLE SWIVEL RING



1 in = 25.4 mm

| Reference  | Diameter     | SF 5:1 WLL (lbs) | Standard L1 (mm) | Torque (ft-lb) |    | S1 (mm) | S2 (mm) | A (mm) | B (mm) | C (mm) | D (mm) | E (mm) | F (mm) | G (mm) | H (mm) | Weight |       |
|------------|--------------|------------------|------------------|----------------|----|---------|---------|--------|--------|--------|--------|--------|--------|--------|--------|--------|-------|
|            |              |                  |                  |                |    |         |         |        |        |        |        |        |        |        |        | (kg)   | (lbs) |
| TSR U 516  | UNC 5/16"-18 | 1,000            | 15               | 7              | 18 | 8       | 16      | 33     | 56     | 30     | 41     | 25     | 10     | 58     | 9,5    | 0,4    | 0.88  |
| TSR U 038  | UNC 3/8"-16  | 1,300            | 18               | 8              | 18 | 8       | 16      | 33     | 56     | 30     | 41     | 25     | 10     | 58     | 9,5    | 0,4    | 0.88  |
| TSR U 050  | UNC 1/2"-13  | 2,400            | 21               | 12             | 18 | 8       | 16      | 33     | 56     | 30     | 41     | 25     | 10     | 58     | 9,5    | 0,4    | 0.88  |
| TSR U 058  | UNC 5/8"-11  | 3,900            | 27               | 40             | 24 | 8       | 20      | 45     | 81     | 45     | 56     | 37     | 14     | 79     | 13     | 1,1    | 2.43  |
| TSR U 075  | UNC 3/4"-10  | 5,250            | 30               | 80             | 24 | 8       | 20      | 45     | 81     | 45     | 56     | 37     | 14     | 79     | 13     | 1,2    | 2.65  |
| TSR U 078* | UNC 7/8"-9   | 6,600            | 33               | 90             | 41 | 14      | 24      | 62     | 84     | 60     | 80     | 45     | 20     | 106    | 19     | 2,7    | 5.95  |
| TSR U 100* | UNC 1"-8     | 10,000           | 36               | 125            | 41 | 14      | 24      | 62     | 84     | 60     | 80     | 45     | 20     | 106    | 19     | 2,8    | 6.17  |
| TSR U 125* | UNC 1" 1/4-7 | 14,000           | 46               | 200            | 41 | 14      | 24      | 84     | 146    | 80     | 111    | 71     | 30     | 106    | 26,5   | 7,1    | 15.65 |
| TSR U 150* | UNC 1" 1/2-6 | 20,000           | 61               | 240            | 54 | 19      | 30      | 84     | 146    | 80     | 111    | 71     | 30     | 148    | 26,5   | 7,7    | 16.98 |

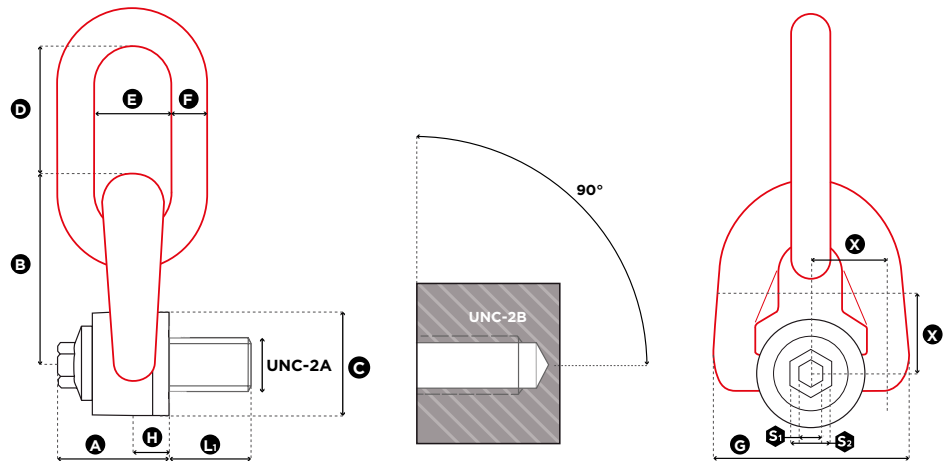
1 in = 25.4 mm

| Reference | Diameter   | SF 4:1 WLL (lbs) | Standard L1 (mm) | Torque (ft-lb) |    | S1 (mm) | S2 (mm) | A (mm) | B (mm) | C (mm) | D (mm) | E (mm) | F (mm) | G (mm) | H (mm) | Weight |       |
|-----------|------------|------------------|------------------|----------------|----|---------|---------|--------|--------|--------|--------|--------|--------|--------|--------|--------|-------|
|           |            |                  |                  |                |    |         |         |        |        |        |        |        |        |        |        | (kg)   | (lbs) |
| TSR U 200 | UNC 2" 4,5 | 50,000           | 76               | 450            | 66 | 19      | 30      | 104    | 184    | 110    | 135    | 90     | 42     | 190    | 33     | 17,7   | 39.02 |

\* On request / Sur demande / Auf Anfrage / Bajo solicitud

# TSR

## TRIPLE SWIVEL RING



1 in = 25.4 mm

| Reference  | Diameter     | SF 5:1 WLL (lbs) | Standard L1 (inch) | Torque (ft-lb) |      | S1 (inch) | S2 (inch) | A (inch) | B (inch) | C (inch) | D (inch) | E (inch) | F (inch) | G (inch) | H (inch) | Weight |       |
|------------|--------------|------------------|--------------------|----------------|------|-----------|-----------|----------|----------|----------|----------|----------|----------|----------|----------|--------|-------|
|            |              |                  |                    |                |      |           |           |          |          |          |          |          |          |          |          | (kg)   | (lbs) |
| TSR U 516  | UNC 5/16"-18 | 1,000            | 0.59               | 7              | 0.71 | 0.31      | 0.63      | 1.30     | 2.20     | 1.18     | 1.61     | 0.98     | 0.39     | 2.28     | 0.37     | 0.4    | 0.88  |
| TSR U 038  | UNC 3/8"-16  | 1,300            | 0.71               | 8              | 0.71 | 0.31      | 0.63      | 1.30     | 2.20     | 1.18     | 1.61     | 0.98     | 0.39     | 2.28     | 0.37     | 0.4    | 0.88  |
| TSR U 050  | UNC 1/2"-13  | 2,400            | 0.83               | 12             | 0.71 | 0.31      | 0.63      | 1.30     | 2.20     | 1.18     | 1.61     | 0.98     | 0.39     | 2.28     | 0.37     | 0.4    | 0.88  |
| TSR U 058  | UNC 5/8"-11  | 3,900            | 1.06               | 40             | 0.94 | 0.31      | 0.79      | 1.77     | 3.19     | 1.77     | 2.20     | 1.46     | 0.55     | 3.11     | 0.51     | 1.1    | 2.43  |
| TSR U 075  | UNC 3/4"-10  | 5,250            | 1.18               | 80             | 0.94 | 0.31      | 0.79      | 1.77     | 3.19     | 1.77     | 2.20     | 1.46     | 0.55     | 3.11     | 0.51     | 1.2    | 2.65  |
| TSR U 078* | UNC 7/8"-9   | 6,600            | 1.30               | 90             | 1.61 | 0.55      | 0.94      | 2.44     | 3.31     | 2.36     | 3.15     | 1.77     | 0.79     | 4.17     | 0.75     | 2.7    | 5.95  |
| TSR U 100* | UNC 1"-8     | 10,000           | 1.42               | 125            | 1.61 | 0.55      | 0.94      | 2.44     | 3.31     | 2.36     | 3.15     | 1.77     | 0.79     | 4.17     | 0.75     | 2.8    | 6.17  |
| TSR U 125* | UNC 1" 1/4-7 | 14,000           | 1.81               | 200            | 1.61 | 0.55      | 0.94      | 3.31     | 5.75     | 3.15     | 4.37     | 2.80     | 1.18     | 4.17     | 1.04     | 7.1    | 15.65 |
| TSR U 150* | UNC 1" 1/2-6 | 20,000           | 2.40               | 240            | 2.13 | 0.75      | 1.18      | 3.31     | 5.75     | 3.15     | 4.37     | 2.80     | 1.18     | 5.83     | 1.04     | 7.7    | 16.98 |

1 in = 25.4 mm

| Reference | Diameter   | SF 4:1 WLL (lbs) | Standard L1 (inch) | Torque (ft-lb) |      | S1 (inch) | S2 (inch) | A (inch) | B (inch) | C (inch) | D (inch) | E (inch) | F (inch) | G (inch) | H (inch) | Weight |       |
|-----------|------------|------------------|--------------------|----------------|------|-----------|-----------|----------|----------|----------|----------|----------|----------|----------|----------|--------|-------|
|           |            |                  |                    |                |      |           |           |          |          |          |          |          |          |          |          | (kg)   | (lbs) |
| TSR U 200 | UNC 2" 4,5 | 50,000           | 2.99               | 450            | 2.60 | 0.75      | 1.18      | 4.09     | 7.24     | 4.33     | 5.31     | 3.54     | 1.65     | 7.48     | 1.30     | 17.7   | 39.02 |

\* On request / Sur demande / Auf Anfrage / Bajo solicitud