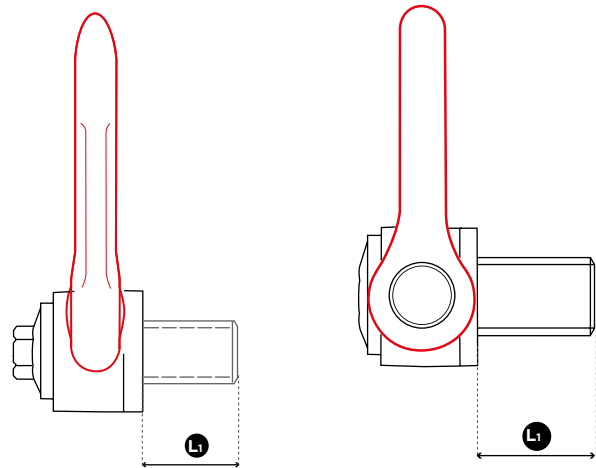
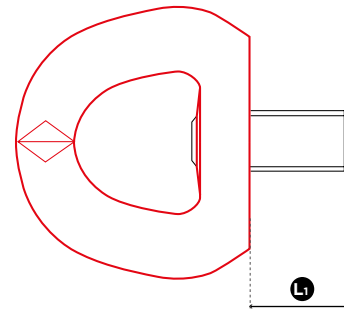


LONG THREAD IN STOCK

METRIC THREAD				
Reference	Maximum length L1 (mm)	Thread length	WLL (t)	Safety Factor
SEB M16 UP	100	88	1,4	5
SEB M16 UP	170	170	1,4	5
SEB M20	75	75	2,5	5
SEB M20 UP	100	100	2	5
SEB M20	170	170	2,5	5
SEB M24	100	85	4	5
SEB M24	170	100	4	5
SEB M30	100	85	6,3	5
SEB M30	100	100	6,3	5
SEB M30	170	100	6,3	5
DSR M8 UP	100	100	0,4	5
DSR M10 UP	50	50	0,7	5
DSR M10 UP	100	100	0,7	5
DSR M12 UP	50	50	1,05	5
DSR M12 UP	150	150	1,05	5
DSR M14 UP	250	250	1,4	5
DSR M16 UP	80	80	2	5
DSR M16 UP	250	250	2	5
DSR M18 UP	250	250	2,3	5
DSR M20 UP	80	80	2,5	5
DSR M20 UP	250	250	2,5	5
DSR M20 UP	300	300	2,9	5
DSR M22	300	300	3	5
DSR M24 UP	100	100	4,4	5
DSR M24 UP	300	300	4,4	5
DSR M27 UP	300	300	5,7	5
DSR M30 UP	100	100	6	5
DSR M30 UP	300	300	6	5
DSS M24	300	300	4,5	5
DSS M30 UP	300	300	7,7	5
DSS M33 UP	300	300	8,5	5
DSS M36 UP	300	300	11	5
DSS M39 UP	300	300	12	5
DSS M42 UP	300	300	13	5
DSS M45 UP	300	300	14,5	5
DSS M48 UP	400	400	17	5
DSS M52 UP	400	400	19	5
DSS M56 UP	400	400	22	5
DSS M64 UP	300	300	25	5
DSS M64 UP	500	500	25	5

UNC THREAD				
Reference	Maximum thread length L1 (inches)	Maximum thread length L1 (mm)	WLL (lbs)	Safety Factor
DSR 3/8" 16 UNC	8"	203	1,300	5
DSR 1/2" 13 UNC	8"	203	2,400	5
DSR 5/8" 11UNC	8"	203	3,900	5
DSR 3/4" 10 UNC	10"	254	5,250	5
DSS 1" 8 UNC	12"	304	10,000	5
DSS 1"1/4 7 UNC	12"	304	15,000	5
DSS 1"1/2 6 UNC	12"	304	22,000	5



Cut to required bolt length optional.
Prices for custom-made lifting points vary according to quantity.