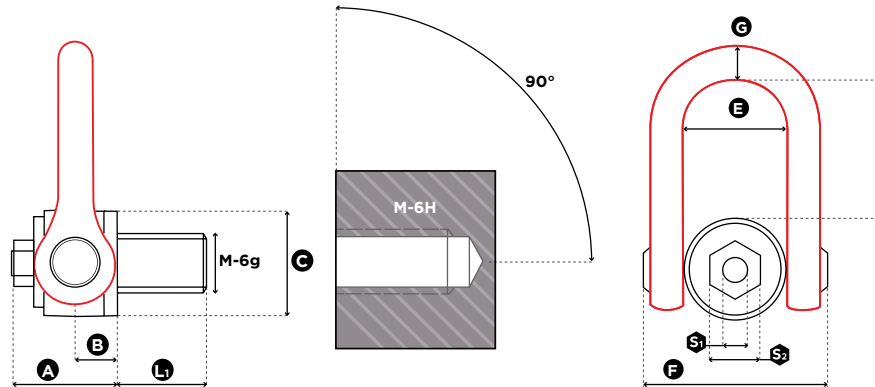


GIGA.DSS GIGA.DSS+Q

METRIC THREADS

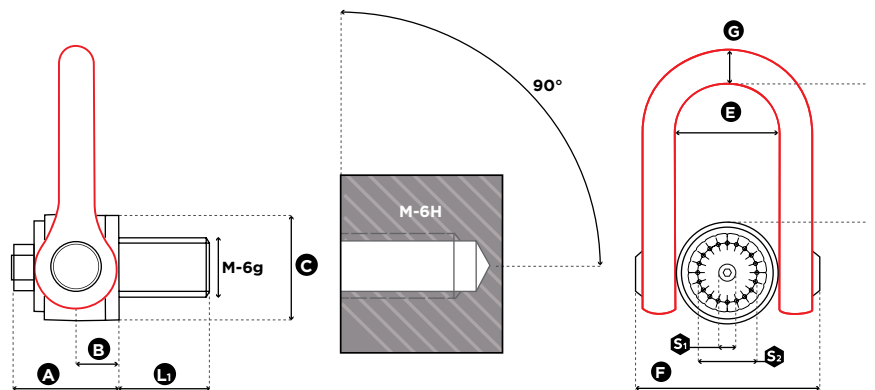
GIGA DOUBLE SWIVEL SHACKLE

GradUp



1 in = 25.4 mm

Reference	Diameter	SF 5:1 WLL (t)	Standard L ₁ (mm)	Torque (Nm)	S ₁ (mm)	S ₂ (mm)	A (mm)	B (mm)	C (mm)	D (mm)	E (mm)	F (mm)	G (mm)	Weight	
														(kg)	(lbs)
GIGA.DSS M 150 UP	M 150 (x6)	125,00	228	2000	41	105	271	115	290	353	302	544	103	268	590.84



1 in = 25.4 mm

Reference	Diameter	SF 5:1 WLL (t)	Standard L ₁ (mm)	Torque (Nm)	S ₁ (mm)	S ₂ (mm)	A (mm)	B (mm)	C (mm)	D (mm)	E (mm)	F (mm)	G (mm)	Weight	
														(kg)	(lbs)
GIGA.DSS+Q M 150 UP	M 150 (x6)	125,00	230	160	21	XZN N12 DIN 34824	267	115	290	353	302	544	103	268	590.84