

QL.DSR

QUICK LIFT DOUBLE SWIVEL RING

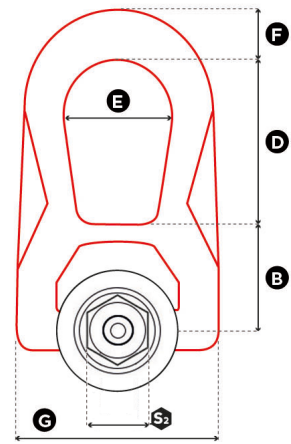
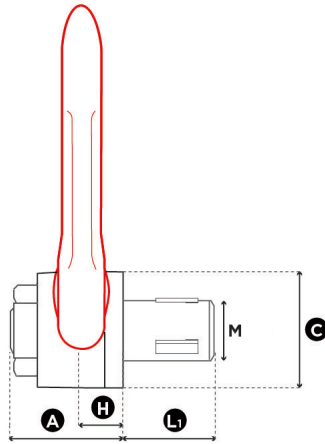
METRIC THREADS

GradUp



QLR

Quick Lift Ring



1 in = 25.4 mm

| Reference | Diameter | SF 5:1 WLL (t) | Standard L ₁ (mm) | Torque (Nm) | S ₂ (mm) | A (mm) | B (mm) | C (mm) | D (mm) | E (mm) | F (mm) | G (mm) | H (mm) | Weight | |
|-------------|--------------|----------------------|------------------------------------|----------------|------------------------|-----------|-----------|-----------|-----------|-----------|-----------|-----------|-----------|--------|-------|
| | | | | | | | | | | | | | | (kg) | (lbs) |
| QL.DSR M 8 | M 8 (x1,25) | 0,25 | 17,5 | 20 | 18 | 31 | 30 | 30 | 38 | 27 | 14 | 53 | 9,5 | 0,3 | 0.66 |
| QL.DSR M 10 | M 10 (x1,5) | 0,40 | 19,5 | 30 | 18 | 31 | 30 | 30 | 38 | 27 | 14 | 53 | 9,5 | 0,3 | 0.66 |
| QL.DSR M 12 | M 12 (x1,75) | 0,65 | 23 | 60 | 27 | 40 | 40 | 45 | 53 | 38 | 17 | 76 | 13 | 0,9 | 1.98 |
| QL.DSR M 14 | M 14 (x2) | 0,70 | 23 | 80 | 27 | 40 | 40 | 45 | 53 | 38 | 17 | 76 | 13 | 0,9 | 1.98 |
| QL.DSR M 16 | M 16 (x2) | 1,05 | 27 | 100 | 27 | 40 | 40 | 45 | 53 | 38 | 17 | 76 | 13 | 0,9 | 1.98 |
| QL.DSR M 20 | M 20 (x2,5) | 1,70 | 30 | 160 | 40 | 55 | 55 | 60 | 83 | 55 | 25 | 115 | 19 | 2,6 | 5.73 |
| QL.DSR M 24 | M 24 (x3) | 2,50 | 36 | 180 | 40 | 55 | 55 | 60 | 83 | 55 | 25 | 115 | 19 | 2,6 | 5.73 |
| QL.DSR M 27 | M27 (x3) | 3,00* | 40 | * | 40 | 55 | 55 | 60 | 83 | 55 | 25 | 115 | 19 | 2,7 | 5.95 |
| QL.DSR M 30 | M30 (x3,5) | 3,50 | 45 | 200 | 40 | 55 | 55 | 60 | 83 | 55 | 25 | 115 | 19 | 2,7 | 5.95 |

* In certification process / En cours d'homologation / In Entwicklungsphase / En proceso de homologación

QL.DSR

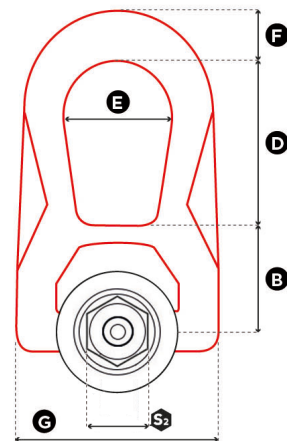
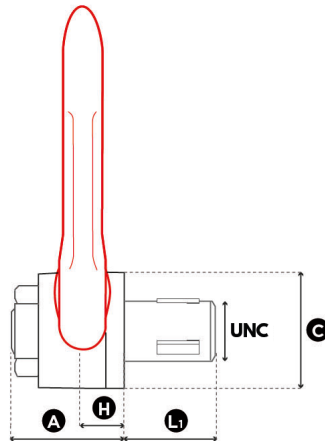
QUICK LIFT DOUBLE SWIVEL RING

UNC THREADS

GradUp



QLR Quick Lift Ring



1 in = 25.4 mm

| Reference | Diameter | SF 5:1 WLL (lbs) | Standard L ₁ (mm) | Torque (ft-lb) | S ₂ (mm) | A (mm) | B (mm) | C (mm) | D (mm) | E (mm) | F (mm) | G (mm) | H (mm) | Weight | |
|--------------|-------------|------------------|------------------------------|----------------|---------------------|--------|--------|--------|--------|--------|--------|--------|--------|--------|-------|
| | | | | | | | | | | | | | | (kg) | (lbs) |
| QL.DSR U 050 | UNC 1/2"-13 | 1.300 | 23 | 45 | 27 | 40 | 40 | 45 | 53 | 38 | 17 | 76 | 13 | 0,9 | 1.98 |
| QL.DSR U 075 | UNC 3/4"-10 | 3.400* | 30 | * | 40 | 55 | 55 | 60 | 83 | 55 | 25 | 115 | 19 | 2,6 | 5.73 |
| QL.DSR U 100 | UNC 1"-8 | 5.000* | 36 | * | 40 | 55 | 55 | 60 | 83 | 55 | 25 | 115 | 19 | 2,6 | 5.73 |

* In certification process / En cours d'homologation / In Entwicklungsphase / En proceso de homologación