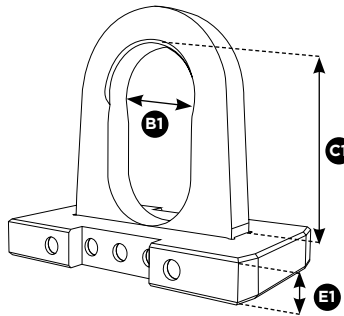
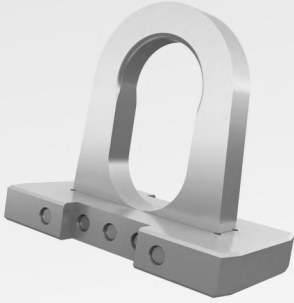


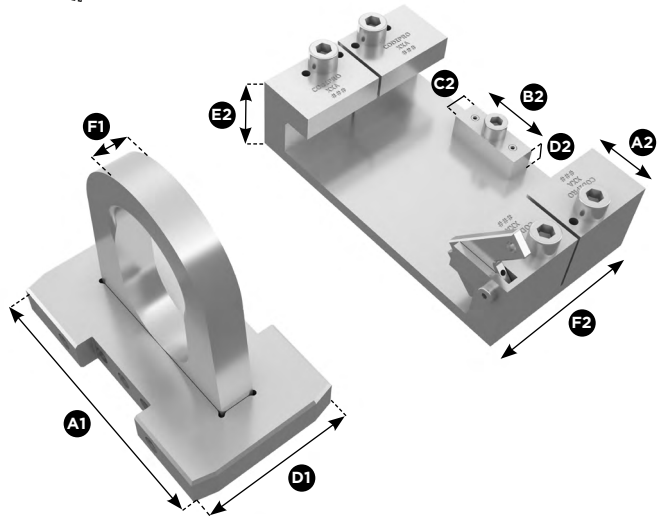
# SLM

## LIFTING SYSTEM FOR MOULD UP TO 40 TONS

METRIC THREADS



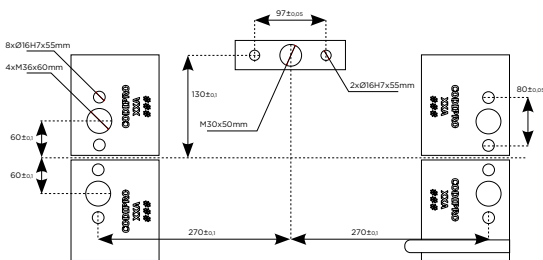
LOCK CONTROL INCLUDED



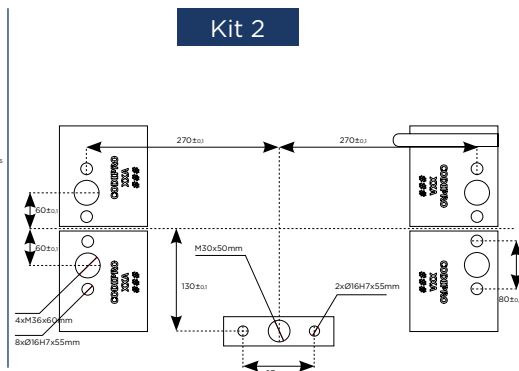
Reference	A1 (mm)	B1 (mm)	C1 (mm)	D1 (mm)	E1 (mm)	F1 (mm)	A2 (mm)	B2 (mm)	C2 (mm)	D2 (mm)	E2 (mm)	F2 (mm)
SLM40	470	170	300	270	65	60	120	150	50	50	130	342
SLM40H	470	170	400	270	65	60	120	150	50	50	130	342

Parts	Weight	
	(kg)	(lbs)
Subset Base	85,0	187.39
Subset Base H	88,0	194.01
Subset Slide	60,0	145.50

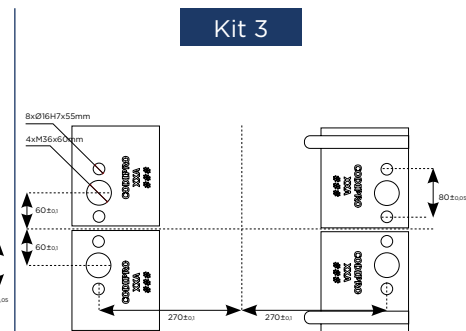
Kit 1



Kit 2



Kit 3



03.2024