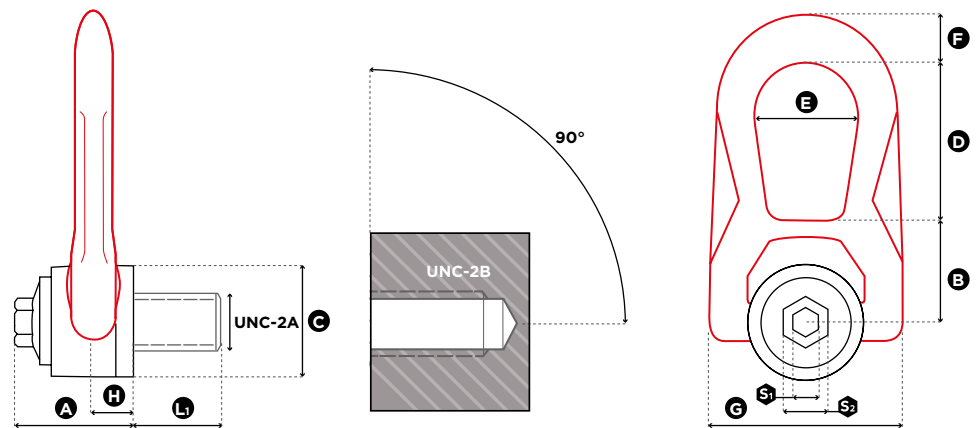


DSR

DOUBLE SWIVEL RING

GradUp



1 in = 25.4 mm

Reference	Diameter	SF 5:1 WLL (lbs)	SF 4:1 WLL (lbs)	Standard L ₁ (mm)	Torque (ft-lb)	S ₁ (mm)	S ₂ (mm)	A (mm)	B (mm)	C (mm)	D (mm)	E (mm)	F (mm)	G (mm)	H (mm)	Weight (kg)
DSR U 025 UP	UNC 1/4"-20	330	450	13	3	8	16	32	30	30	38	27	14	53	9,5	0,3
DSR U 516 UP	UNC 5/16"-18	1,000	1,200	15	5	8	16	33	30	30	38	27	14	53	9,5	0,3
DSR U 038 UP	UNC 3/8"-16	1,300	1,600	17	8	8	16	33	30	30	38	27	14	53	9,5	0,3
DSR U 050 UP	UNC 1/2"-13	2,400	2,800	21	12	8	16	33	30	30	38	27	14	53	9,5	0,3
DSR U 058 UP	UNC 5/8"-11	3,900	4,900	27	40	8	20	45	40	45	53	38	17	76	13	0,9
DSR U 075 UP	UNC 3/4"-10	5,250	5,250	30	80	8	20	45	40	45	53	38	17	76	13	0,9
DSR U 078 UP	UNC 7/8"-9	7,900	9,800	33	90	14	24	62	55	60	83	55	25	115	19	2,5
DSR U 100 UP	UNC 1"-8	11,200	12,500	36	125	14	24	62	55	60	83	55	25	115	19	2,6
DSR U 118 UP	UNC 1" 1/8-7	11,500	13,000	42	160	14	24	62	55	60	83	55	25	115	19	2,6
DSR U 125 UP	UNC 1" 1/4-7	13,500	13,500	45	200	14	24	62	55	60	83	55	25	115	19	2,7