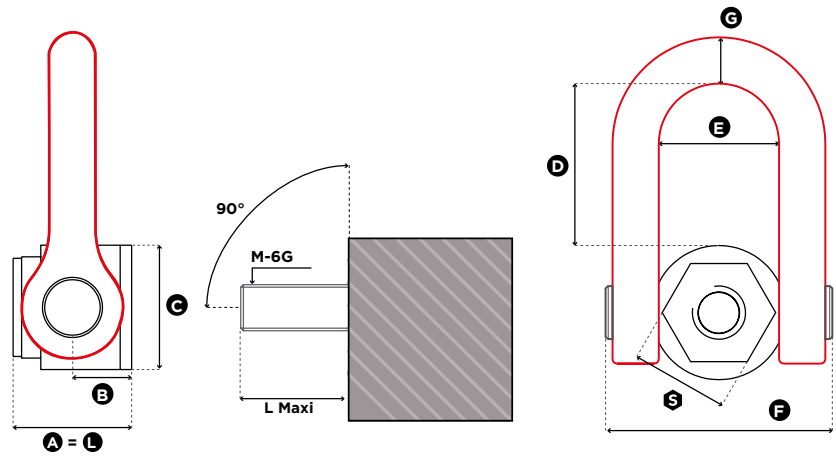


FE.DSS

FEMALE DOUBLE SWIVEL SHACKLE

GradUp



1 in = 25.4 mm

| Reference | Diameter | SF 5:1 WLL (t) | SF 4:1 WLL (t) | L Maxi (mm) | Torque (Nm) | S (mm) | A (mm) | B (mm) | C (mm) | D (mm) | E (mm) | F (mm) | G (mm) | Weight (kg) |
|----------------|-------------|----------------|----------------|-------------|-------------|--------|--------|--------|--------|--------|--------|--------|--------|-------------|
| FE.DSS M 24 UP | M 24 (x3) | 4,50 | 5,50 | 66 | 160 | 50 | 66 | 31 | 70 | 98 | 73 | 149 | 33 | 5,1 |
| FE.DSS M 27 UP | M 27 (x3) | 5,20 | 6,50 | 66 | 200 | 50 | 66 | 31 | 70 | 98 | 73 | 149 | 33 | 5,1 |
| FE.DSS M 30 UP | M 30 (x3,5) | 7,50 | 8,50 | 66 | 250 | 50 | 66 | 31 | 70 | 98 | 73 | 149 | 33 | 5,1 |
| FE.DSS M 33 UP | M 33 (x3,5) | 8,00 | 10,50 | 66 | 250 | 50 | 66 | 31 | 70 | 98 | 73 | 149 | 33 | 5,1 |
| FE.DSS M 36 UP | M 36 (x4) | 10,00 | 12,00 | 66 | 320 | 50 | 66 | 31 | 70 | 98 | 73 | 149 | 33 | 5,1 |
| FE.DSS M 39 UP | M 39 (x4) | 12,00 | 14,00 | 89 | 320 | 60 | 89 | 38 | 95 | 123 | 91 | 182 | 45 | 10,0 |
| FE.DSS M 42 UP | M 42 (x4,5) | 13,00 | 15,00 | 89 | 400 | 60 | 89 | 38 | 95 | 123 | 91 | 182 | 45 | 10,0 |
| FE.DSS M 45 UP | M 45 (x4,5) | 14,50 | 16,00 | 89 | 400 | 60 | 89 | 38 | 95 | 123 | 91 | 182 | 45 | 10,0 |
| FE.DSS M 48 UP | M 48 (x5) | 17,00 | 20,00 | 89 | 600 | 60 | 89 | 38 | 95 | 123 | 91 | 182 | 45 | 10,0 |
| FE.DSS M 52 UP | M 52 (x5) | 19,00 | 21,00 | 89 | 600 | 60 | 89 | 38 | 95 | 123 | 91 | 182 | 45 | 10,0 |