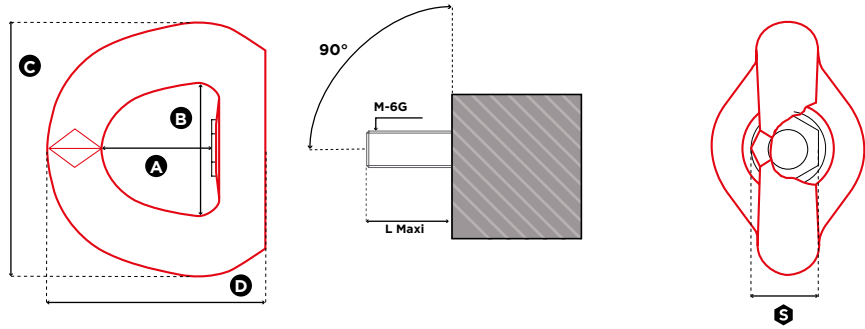


FE.SEB

FEMALE SWIVEL EYE BOLT

GradUp



1 in = 25.4 mm

| Reference | Diameter | SF 5:1 WLL (t) | SF 4:1 WLL (t) | L Maxi (mm) | Torque (Nm) | S (mm) | A (mm) | B (mm) | C (mm) | D (mm) | Weight (kg) |
|----------------|--------------|----------------------|----------------------|----------------|----------------|-----------|-----------|-----------|-----------|-----------|----------------|
| FE.SEB M 8 UP | M 8 (x1,25) | 0,40 | 0,50 | 22 | 6 | 21 | 38 | 45 | 88 | 80 | 0,8 |
| FE.SEB M 10 UP | M 10 (x1,5) | 0,50 | 0,70 | 22 | 10 | 21 | 38 | 45 | 88 | 80 | 0,8 |
| FE.SEB M 12 UP | M 12 (x1,75) | 0,80 | 0,90 | 22 | 15 | 21 | 38 | 45 | 88 | 80 | 0,8 |
| FE.SEB M 16 UP | M 16 (x2) | 1,40 | 1,80 | 22 | 50 | 21 | 38 | 45 | 88 | 80 | 0,8 |
| FE.SEB M 20 UP | M 20 (x2,5) | 2,00 | 2,70 | 35 | 100 | 36 | 55 | 70 | 115 | 106 | 2,5 |
| FE.SEB M 24 UP | M 24 (x3) | 3,40 | 4,20 | 48 | 160 | 40 | 77 | 94 | 168 | 155 | 6,3 |
| FE.SEB M 30 UP | M 30 (x3,5) | 5,50 | 6,30 | 48 | 250 | 40 | 77 | 94 | 168 | 155 | 6,3 |
| FE.SEB M 36 UP | M 36 (x4) | 9,00 | 11,00 | 48 | 320 | 40 | 77 | 94 | 168 | 155 | 6,3 |