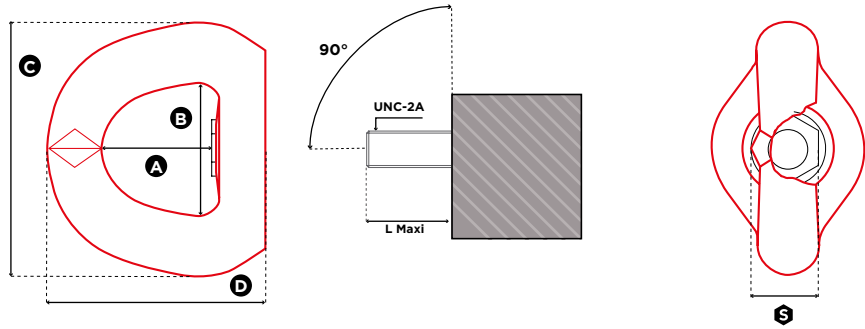


FE.SEB

FEMALE SWIVEL EYE BOLT

GradUp



1 in = 25.4 mm

Reference	Diameter	SF 5:1 WLL (lbs)	SF 4:1 WLL (lbs)	L Maxi (mm)	Torque (ft-lb)	S (mm)	A (mm)	B (mm)	C (mm)	D (mm)	Weight (kg)
FE.SEB U 038 UP	UNC 3/8"-16	1,200	1,500	22	8	21	38	45	88	80	0,8
FE.SEB U 050 UP	UNC 1/2"-13	1,800	1,950	22	12	21	38	45	88	80	0,8
FE.SEB U 058 UP	UNC 5/8"-11	3,200	4,000	22	40	21	38	45	88	80	0,8
FE.SEB U 075 UP	UNC 3/4"-10	4,750	5,900	35	80	36	55	70	115	106	2,5
FE.SEB U 100 UP	UNC 1"-8	7,500	9,300	48	125	40	77	94	168	155	6,3
FE.SEB U 125 UP	UNC 1" 1/4-7	12,200	13,800	48	200	40	77	94	168	155	6,3