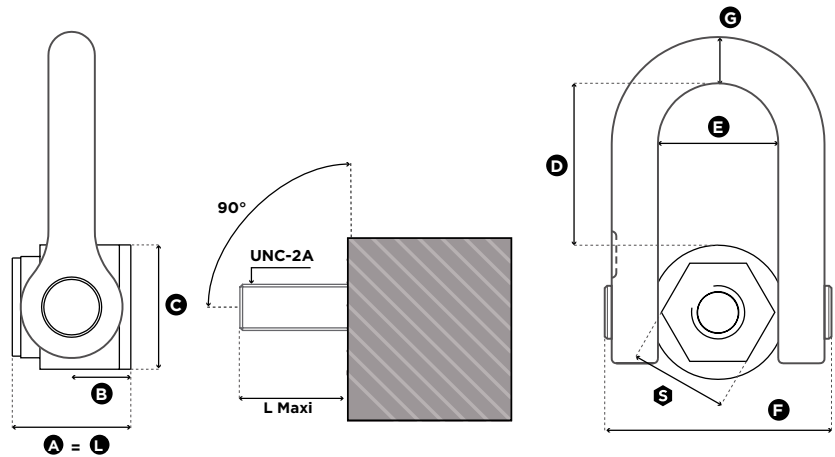


# STAINLESS STEEL FEMALE DOUBLE SWIVEL SHACKLE



1 in = 25.4 mm

Reference	Diameter	SF 5:1 WLL (lbs)	SF 4:1 WLL (lbs)	L Maxi (mm)	Torque (Nm)	S (mm)	A (mm)	B (mm)	C (mm)	D (mm)	E (mm)	F (mm)	G (mm)	Weight (kg)
SS.FE.DSS U 100	UNC 1"-8	6,000	6,000*	66	125	50	66	31	70	98	73	149	30	5,4
SS.FE.DSS U 125	UNC 1" 1/4-7	7,500	7,500*	66	200	50	66	31	70	98	73	149	30	5,4
SS.FE.DSS U 138	UNC 1" 3/8-6	7,500	7,500*	66	240	50	66	31	70	98	73	149	30	5,4
SS.FE.DSS U 150	UNC 1" 1/2-6	11,000	11,000*	89	240	60	89	38	95	123	91	182	41	12,0

\* In certification process / En cours d'homologation / In Entwicklungsphase / En proceso de homologación