

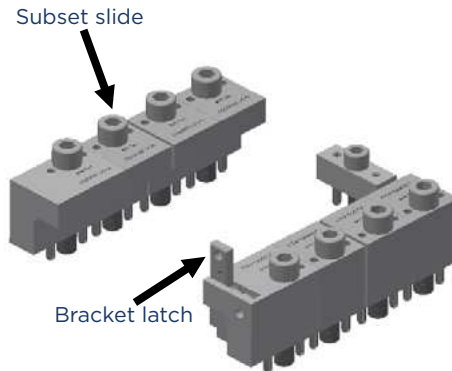
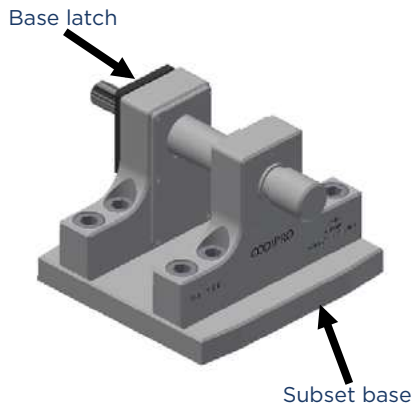
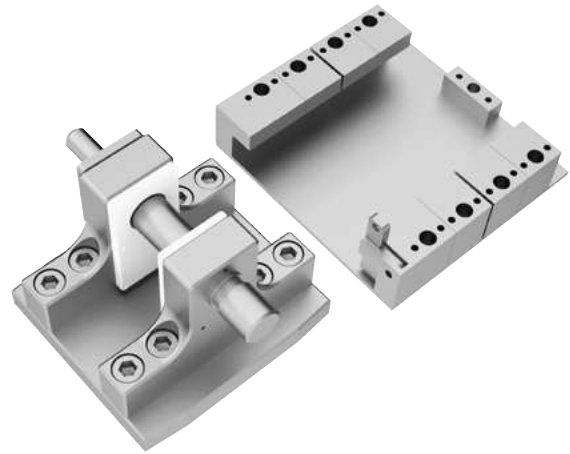
# Use recommendations

## SLM80

CODIPROLUX SA  
25, Salzbaach L-9559 Wiltz  
Tel : +352 26 81 54 1 • Fax : +352 81 05 17  
www.codipro.net • info@codipro.net

### PRODUCT DESCRIPTION

These instructions apply to SLM80 lifting device manufactured by Codipro. The mold lifting system is composed of a subset base intended to be placed on the crane hook and a subset slide screwed on the load. The working load limit is 80t SF4.



### CERTIFICATION - QUALITY

Comply with directive on machinery 2006/42/EC. Delivery with EC declaration of conformity. Comply with Codipro specification. Static test coefficient: WLL x 2.5. Safety coefficient: 4. Certification only valid for equipment produced by Codipro and compliant with Codipro specifications. Any modifications performed without written permission of Codipro make the certification null and void.

### CONDITIONS OF USE

#### General requirements

Only handled by capable and trained people following to current standards in force on the place of use. Prohibited to pass under a suspended load and/or to expose staff in the handling area. During handling, avoid any dangerous operations: shocks, tugs, vibrations. Scrupulously follow the WLL engraved on the accessory. All connected elements with the accessory must be in proportion to it and in accordance with standards in force.

Proceed to the adequacy verification of the accessory in relation to its use:

- Check that the head loss of the accessory assembly plus the load ensures safe lifting.
- Use the lifting points on the load that are located above the center of gravity to avoid it tilting.
- Check the correct displacement of the accessory/load/fastening point assembly to avoid any deterioration.
- Identify the path followed by the load clear the aisles and area to place the load.
- Never stand between the load and an obstacle or a wall.

Avoid using in corrosive, aggressive and/or sandy, chemical, acidic or steamy areas. Equipment designed for use at a temperature between -20°C and +100°C. Do not use outside this temperature range. Get in contact with the manufacturer for any specific use and/or additional information.

#### Special conditions

The threaded holes allowing to fix the lifting system to the load must be in accordance with European standards in force and long enough to fit with the full bolt length. Equipment designed for straight lift only. Do not use when vertical angle exceeds 5°. Rotating operations are prohibited. The operator has to make sure the safety systems (base latch and bracket latch) are closed before any lifting operation.

### ASSEMBLY

#### General requirements

Consider the center of gravity and place the system right above to allow a 0° straight lift. All accessories must remain fully mobile in all directions without hindrance to movement. Please refer to the manufacturer use recommendations.

#### Special conditions

Please follow the assembly instructions:

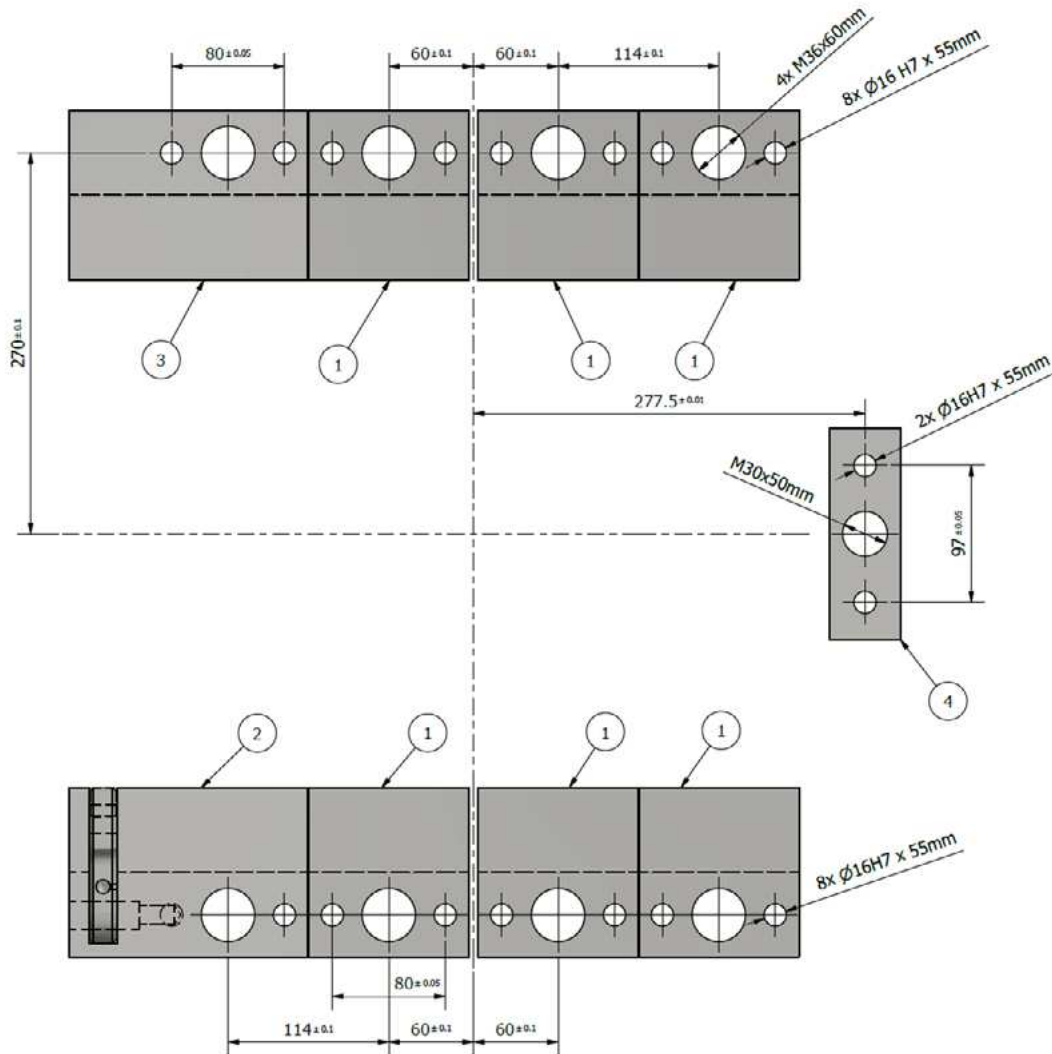
1. Check each part visually prior to assembly and make sure there is no defect.
2. Put the parts together according to the installation drawings
3. Screw the bolts on with the dedicated tightening torque
4. Please refer to general operating instructions for lifting

SLM80 Use recommendations - Original version  
In accordance with « directive on machinery » 2006/42/CE

09.2019

Type	Quantity	Tightening torque
Bolt M6x20mm	12	4 Nm
Bolt M10-12x20 mm	3	10 Nm
Bolt M16-20x50 mm	1	50 Nm
Bolt M30x100mm	1	250 Nm
Bolt M36x180mm	8	400 Nm
Bolt M42x120mm	8	600 Nm
Cotter pin $\varnothing$ 16x100mm	22	-

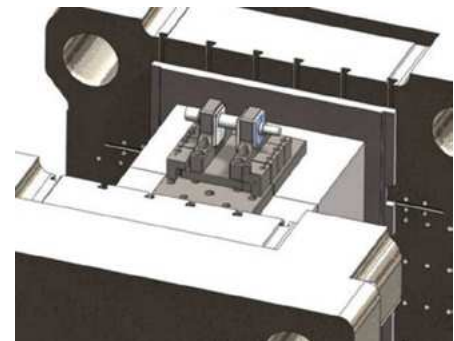
Subset slide installation



#### OPERATING INSTRUCTIONS

1. Get a working area correctly prepared for lifting. Please refer to equipment's manual for use.
2. Put the accessory together with the crane hook
3. Get close to the load and put the accessory into the lifting point. Check assembly of the load and accessory, as well as the safety systems and locking mechanisms.
4. Put the lifting set in tension and start lifting slowly. Pay close attention to the motion of the whole assembly.
5. Watch out for collisions during lifting.
6. Drop off the load slowly in a suitable area.
7. Take the lifting accessories off.

**N.B.: The base plate must slide correctly into the subset slide. Do not force to remove the base plate if this is not the case. Check assembly to ensure correct sliding between the parts where required.**



SLM80 Use recommendations - Original version  
In accordance with « directive on machinery » 2006/42/CE

09.2019

## CONTROL AND MAINTENANCE

Control should always be carried out by capable and trained people in accordance with standards currently in force on the place of use. A visual control prior to each use is necessary. The following points must always be checked:

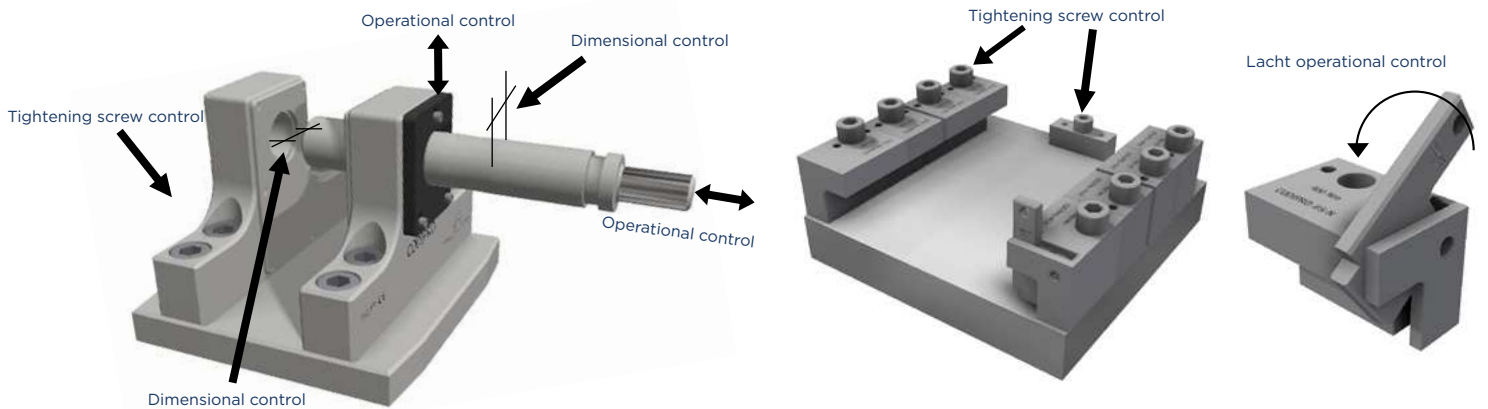
- Wear, bending, abnormal corrosion
- Assembly and articulation of movable parts
- Bolt tightening torques
- Nicks, deformation, cracks
- EC mark and engraving (WLL, traceability, manufacturer)

If one of these criteria is considered non-conform, the material must be subject to a more thorough examination.

Do not grease the parts. A thorough verification must be performed once a year for normal use, several times a year in case of intensive use. It is recommended to replace the bolts and pins after a 10 000 lifting cycle usage.

	Subset slide		
	Bracket	Latch	Stop
First assembly	M36 bolts Tightening torque Visual control	Free operation	M30 bolts Tightening torque Visual control
Each use (visual)	Wear Deformation M36 bolts Tightening Visual control	Wear Deformation M16 bolts Tightening Visual control Free operation	Wear Deformation M30 bolts Tightening Visual control
Annual control (visual + dimensionnal)	Wear Deformation M36 bolts Tightening torque Visual control Service booklet Screws and bolts replacement where required	Wear Deformation M16 bolts Tightening torque Visual control Free operation Service booklet Screws and bolts replacement where required	Wear Deformation M30 bolts Tightening torque Visual control Service booklet Screws and bolts replacement where required

	Subset base				
	Base	Heightener	Shaft	Latch	Nylon plate
First assembly	Visual control	M42 bolts Tightening torque Visual control	Free operation	M10 bolts Tightening torque Visual control Free operation	M6 bolts Tightening torque Visual control
Each use (visual)	Wear Deformation	Wear Deformation M42 bolts Tightening Visual control	Wear Deformation Free operation	Wear (through hole and shaft contact area) Deformation M10 bolts Tightening Visual control Free operation	Wear Deformation M6 bolts Tightening Visual control Free operation
Annual control (visual + dimensionnal)	Wear Deformation Cycle usage Service booklet	Wear : through hole < 3% of nominal diameter Deformation M42 bolts Tightening torque Visual control Cycle usage Service booklet Screws and bolts replacement where required	Wear : < 3% nominal diameter Deformation Free operation Cycle usage Service booklet	Wear (through hole and shaft contact area) Deformation M10 bolts Tightening torque Visual control Free operation Cycle usage Service booklet Screws and bolts replacement where required	Wear Deformation M6 bolts Tightening torque Visual control Free operation Cycle usage Service booklet Screws and bolts replacement where required



SLM80 Use recommendations - Original version  
In accordance with « directive on machinery » 2006/42/CE

09.2019