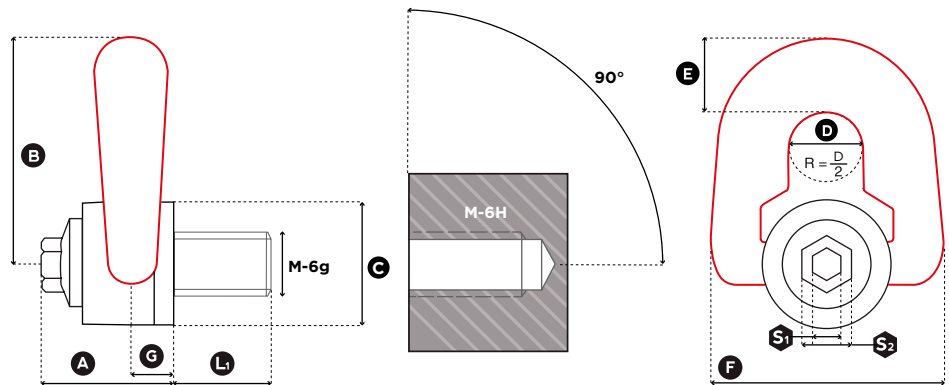


# DSP

METRIC THREADS

## DOUBLE SWIVEL LIFTING POINT



1 in = 25.4 mm

| Reference | Diameter     | SF 5:1 WLL (t) | Standard L <sub>1</sub> (mm) | Torque (Nm) | S <sub>1</sub> (mm) | S <sub>2</sub> (mm) | A (mm) | B (mm) | C (mm) | D (mm) | E (mm) | F (mm) | G (mm) | Weight (kg) |
|-----------|--------------|----------------|------------------------------|-------------|---------------------|---------------------|--------|--------|--------|--------|--------|--------|--------|-------------|
| DSP M 8   | M 8 (x1,25)  | 0,40           | 15                           | 6           | 8                   | 16                  | 33     | 56     | 30     | 19     | 19     | 58     | 9,5    | 0,3         |
| DSP M 10  | M 10 (x1,50) | 0,70           | 18                           | 10          | 8                   | 16                  | 33     | 56     | 30     | 19     | 19     | 58     | 9,5    | 0,3         |
| DSP M 12  | M 12 (x1,75) | 1,05           | 21                           | 15          | 8                   | 16                  | 33     | 56     | 30     | 19     | 19     | 58     | 9,5    | 0,3         |
| DSP M 14  | M 14 (x2)    | 1,40           | 23                           | 30          | 8                   | 20                  | 45     | 81     | 45     | 25     | 27     | 79     | 13     | 0,9         |
| DSP M 16  | M 16 (x2)    | 2,00           | 27                           | 50          | 8                   | 20                  | 45     | 81     | 45     | 25     | 27     | 79     | 13     | 0,9         |
| DSP M 18  | M 18 (x2,5)  | 2,30           | 27                           | 70          | 8                   | 20                  | 45     | 81     | 45     | 25     | 27     | 79     | 13     | 1,0         |
| DSP M 20  | M 20 (x2,5)  | 2,50           | 30                           | 100         | 8                   | 20                  | 45     | 81     | 45     | 25     | 27     | 79     | 13     | 1,0         |