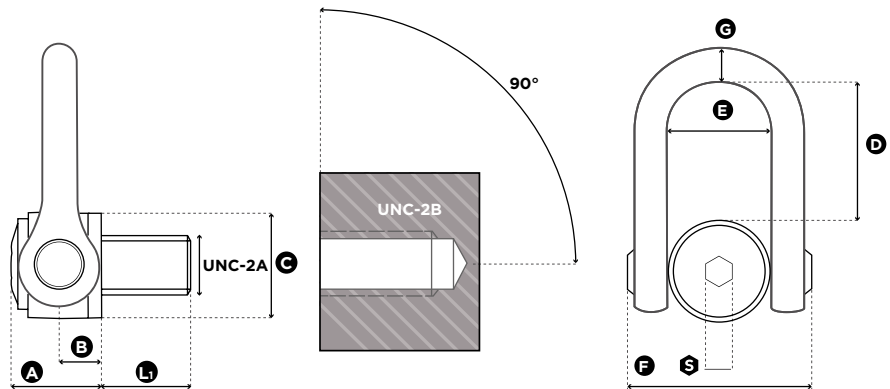


SS.DSS

STAINLESS STEEL DOUBLE SWIVEL SHACKLE

UNC THREADS



1 in = 25.4 mm

Reference	Diameter	SF 5:1 WLL (lbs)	SF 4:1 WLL (lbs)	Standard L1 (mm)	Torque (ft-lb)	S (mm)	A (mm)	B (mm)	C (mm)	D (mm)	E (mm)	F (mm)	G (mm)	Weight (kg)
SS.DSS U 100	UNC 1"-8	6,000	6,000	36	125	3/4"	61	31	70	98	73	149	30	5,2
SS.DSS U 125	UNC 1" 1/4-7	7,500	7,500	45	200	3/4"	61	31	70	98	73	149	30	5,2
SS.DSS U 138	UNC 1" 3/8-6	7,500	7,500	54	240	3/4"	61	31	70	98	73	149	30	5,2
SS.DSS U 150	UNC 1" 1/2-6	11,000	11,000	54	240	3/4"	61	31	70	98	73	149	30	5,4
SS.DSS U 200	UNC 2" 4,5	14,000	14,000	76	450	3/4"	79	38	90	123	91	182	41	11,1

10.2021