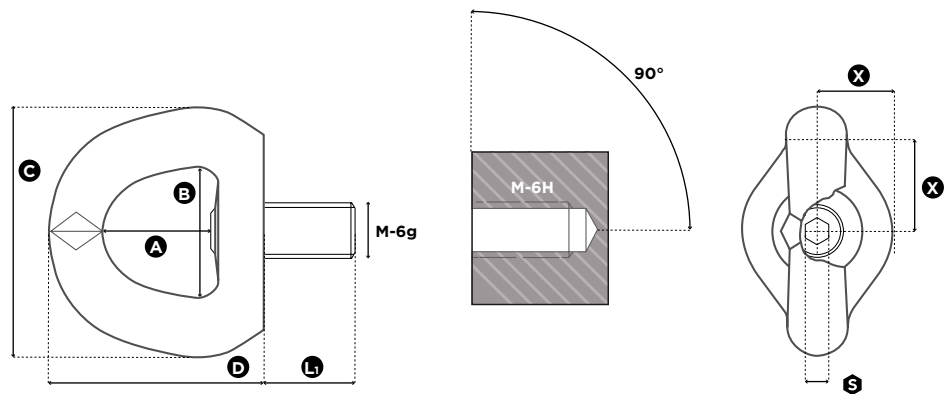


SS.SEB

STAINLESS STEEL SWIVEL EYE BOLT

METRIC THREADS



1 in = 25.4 mm

Reference	Diameter	SF 5:1 WLL (t)	SF 4:1 WLL (t)	Standard L ₁ (mm)	Torque (Nm)	X	S	A (mm)	B (mm)	C (mm)	D (mm)	Weight (kg)
SS.SEB M 12	M 12 (x1,75)	0,55	0,55	21	15	35	8	38	45	90	80	0,80
SS.SEB M 16	M 16 (x2)	1,20	1,20	27	50	35	8	38	45	90	80	0,82
SS.SEB M 20	M 20 (x2,5)	1,50	1,50	30	100	35	8	38	45	90	80	0,84
SS.SEB M 24	M 24 (x3)	2,50	2,50	36	100	50	8	38	45	90	80	0,90