

QL.DSR

QUICK LIFT DOUBLE SWIVEL RING

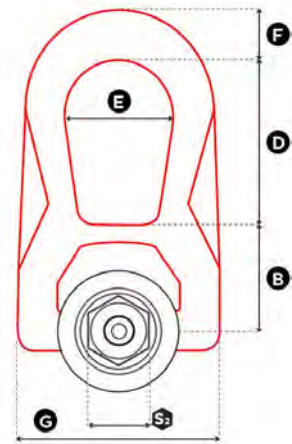
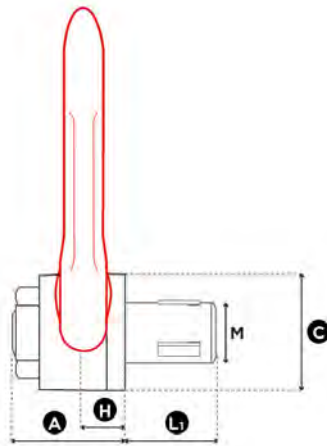
METRIC THREADS

GradUp



QLR

Quick Lift Ring



1 in = 25.4 mm

Reference	Diameter	SF 5:1 WLL (t)	Standard L ₁ (mm)	Torque (Nm)	S ₂ (mm)	A (mm)	B (mm)	C (mm)	D (mm)	E (mm)	F (mm)	G (mm)	H (mm)	Weight (kg)
QL.DSR M 8	M 8 (x1,25)	0,25	17,5	20	18	31	30	30	38	27	14	53	9,5	0,3
QL.DSR M 10	M 10 (x1,5)	0,40	19,5	30	18	31	30	30	38	27	14	53	9,5	0,3
QL.DSR M 12	M 12 (x1,75)	0,65	23	60	27	40	40	45	53	38	17	76	13	0,9
QL.DSR M 14	M 14 (x2)	0,70	23	80	27	40	40	45	53	38	17	76	13	0,9
QL.DSR M 16	M 16 (x2)	1,05	27	100	27	40	40	45	53	38	17	76	13	0,9
QL.DSR M 20	M 20 (x2,5)	1,70	30	160	40	55	55	60	83	55	25	115	19	2,6
QL.DSR M 24	M 24 (x3)	2,50	36	180	40	55	55	60	83	55	25	115	19	2,6

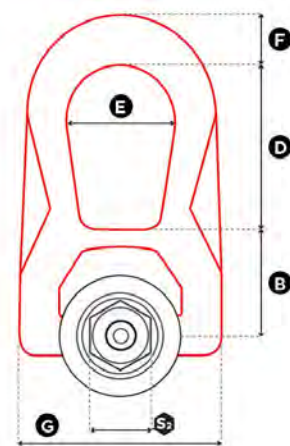
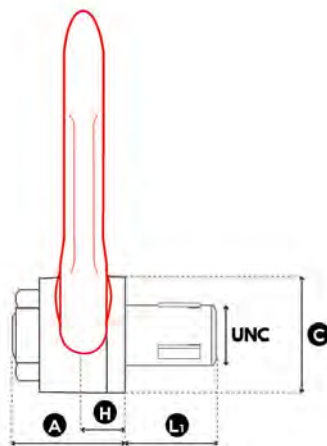
QL.DSR

QUICK LIFT DOUBLE SWIVEL RING

GradUp



QLR
Quick Lift Ring



1 in = 25.4 mm

Reference	Diameter	SF 5:1 WLL (lbs)	Standard L ₁ (mm)	Torque (ft-lb)	S ₂ (mm)	A (mm)	B (mm)	C (mm)	D (mm)	E (mm)	F (mm)	G (mm)	H (mm)	Weight (kg)
QL.DSR U 050	UNC 1/2"-13	1,300*	23	*	27	40	40	45	53	38	17	76	13	0,9
QL.DSR U 075	UNC 3/4"-10	3,400*	30	*	40	55	55	60	83	55	25	115	19	2,6
QL.DSR U 100	UNC 1"-8	5,000*	36	*	40	55	55	60	83	55	25	115	19	2,6

* In certification process / En cours d'homologation / In Entwicklungsphase / En proceso de homologación

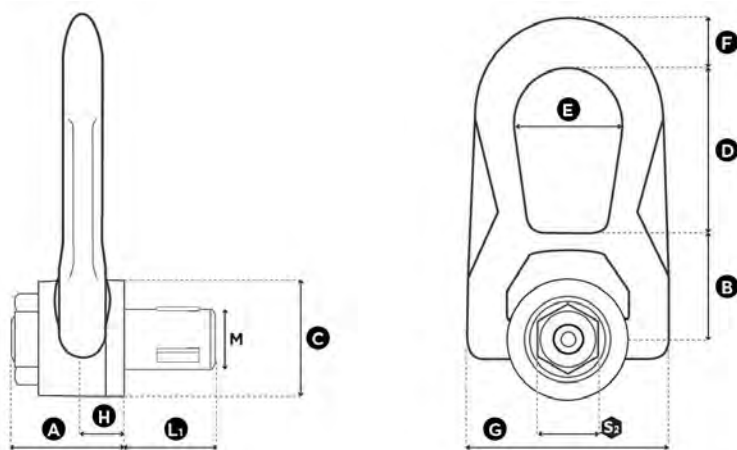
SS.QL.DSR

STAINLESS STEEL QUICK LIFT DOUBLE SWIVEL RING

METRIC THREADS



QLR
Quick Lift Ring



1 in = 25.4 mm

Reference	Diameter	SF 5:1 WLL (t)	Standard L1 (mm)	Torque (Nm)	S ₂ (mm)	A (mm)	B (mm)	C (mm)	D (mm)	E (mm)	F (mm)	G (mm)	H (mm)	Weight (kg)
SS.QL.DSR M 8	M 8 (x1,25)	0,25	17,5	20	18	31	30	30	38	27	14	53	9,5	0,3
SS.QL.DSR M 10	M 10 (x1,5)	0,40	19,5	30	18	31	30	30	38	27	14	53	9,5	0,3
SS.QL.DSR M 12	M 12 (x1,75)	0,65	23	60	27	40	40	45	53	38	17	76	13	0,9
SS.QL.DSR M 14	M 14 (x2)	0,70	23	80	27	40	40	45	53	38	17	76	13	0,9
SS.QL.DSR M 16	M 16 (x2)	1,05	27	100	27	40	40	45	53	38	17	76	13	0,9
SS.QL.DSR M 20	M 20 (x2,5)	1,70	30	160	40	55	55	60	83	55	25	115	19	2,6
SS.QL.DSR M 24	M 24 (x3)	2,50	36	180	40	55	55	60	83	55	25	115	19	2,6

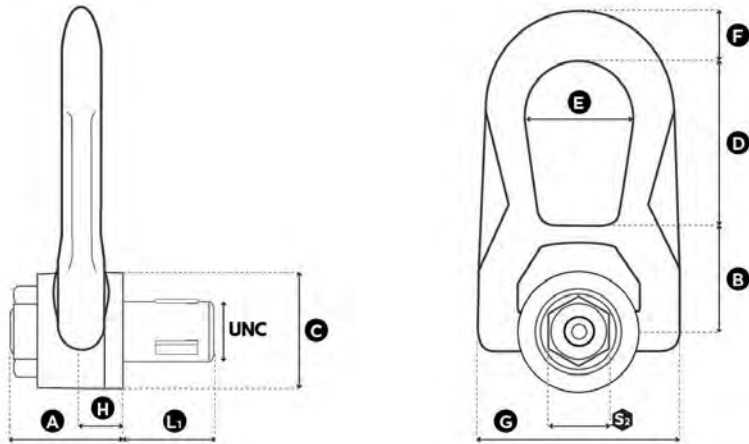
SS.QL.DSR

STAINLESS STEEL QUICK LIFT DOUBLE SWIVEL RING

UNC THREADS



QLR
Quick Lift Ring



1 in = 25.4 mm

Reference	Diameter	SF 5:1 WLL (lbs)	Standard L ₁ (mm)	Torque (ft-lb)	S ₂ (mm)	A (mm)	B (mm)	C (mm)	D (mm)	E (mm)	F (mm)	G (mm)	H (mm)	Weight (kg)
SS.QL.DSR U 050	UNC 1/2"-13	1,300*	23	*	27	40	40	45	53	38	17	76	13	0,9
SS.QL.DSR U 075	UNC 3/4"-10	3,400*	30	*	40	55	55	60	83	55	25	115	19	2,6
SS.QL.DSR U 100	UNC 1"-8	5,000*	36	*	40	55	55	60	83	55	25	115	19	2,6

* In certification process / En cours d'homologation / In Entwicklungsphase / En proceso de homologación