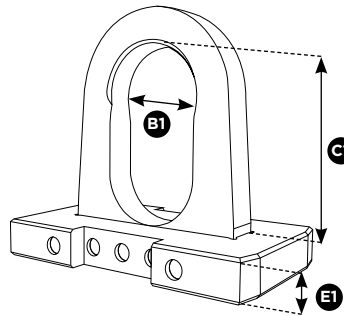


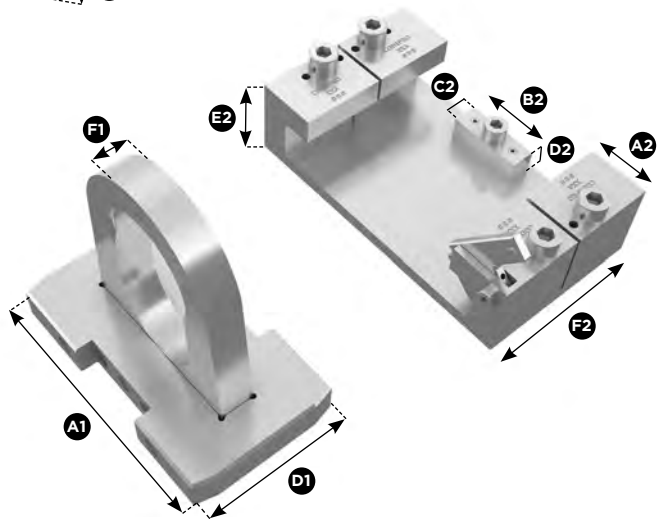
SLM

LIFTING SYSTEM FOR MOULD UP TO 40 TONS

METRIC THREADS



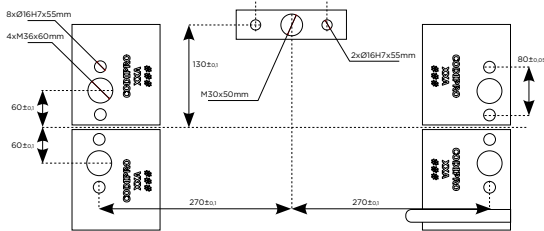
LOCK CONTROL INCLUDED



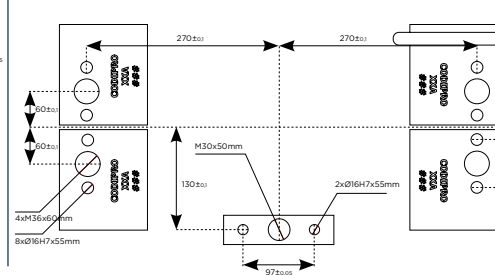
A1 (mm)	B1 (mm)	C1 (mm)	D1 (mm)	E1 (mm)	F1 (mm)
470	170	300	270	65	60

A2 (mm)	B2 (mm)	C2 (mm)	D2 (mm)	E2 (mm)	F2 (mm)
120	150	50	50	130	342

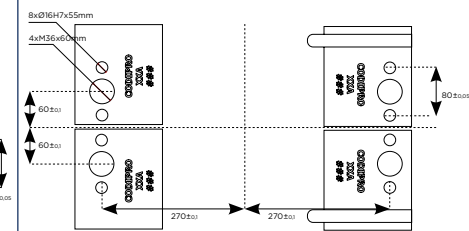
Kit 1



Kit 2



Kit 3



10.2021