

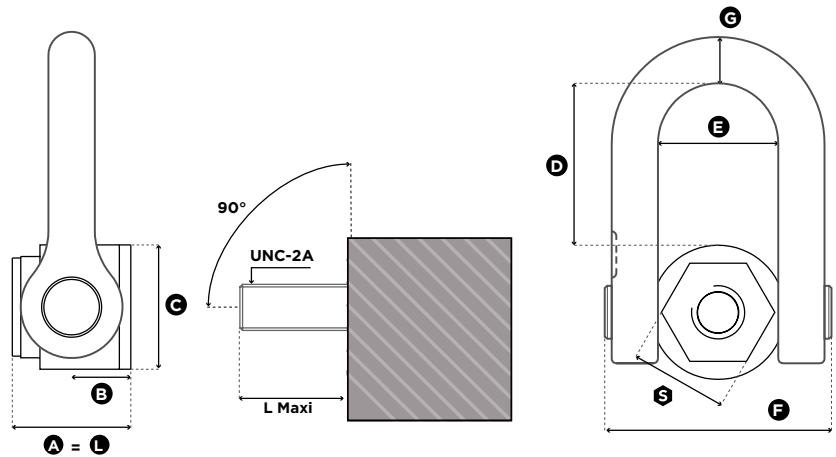
1 in = 25.4 mm

Reference	Diameter	SF 5:1 WLL (t)	SF 4:1 WLL (t)	L Maxi (mm)	Torque (Nm)	S (mm)	A (mm)	B (mm)	C (mm)	D (mm)	E (mm)	F (mm)	G (mm)	Weight (kg)
SS.FE.DSS M 24	M 24 (x3)	2,70	2,70	66	160	50	66	31	70	98	73	149	30	5,8
SS.FE.DSS M 30	M 30 (x3,5)	3,50	3,50	66	250	50	66	31	70	98	73	149	30	5,8
SS.FE.DSS M 33	M 33 (x3,5)	3,50	3,50	66	250	50	66	31	70	98	73	149	30	5,8
SS.FE.DSS M 36	M 36 (x4)	5,00	5,00	66	320	50	66	31	70	98	73	149	30	5,8

# SS.FE.DSS

## STAINLESS STEEL FEMALE DOUBLE SWIVEL SHACKLE

UNC THREADS



1 in = 25.4 mm

Reference	Diameter	SF 5:1 WLL (lbs)	SF 4:1 WLL (lbs)	L Maxi (mm)	Torque (Nm)	S (mm)	A (mm)	B (mm)	C (mm)	D (mm)	E (mm)	F (mm)	G (mm)	Weight (kg)
SS.FE.DSS U 100	UNC 1"-8	6,000	6,000	66	125	50	66	31	70	98	73	149	30	5,4
SS.FE.DSS U 125	UNC 1" 1/4-7	7,500	7,500	66	200	50	66	31	70	98	73	149	30	5,4
SS.FE.DSS U 138	UNC 1" 3/8-6	7,500	7,500	66	240	50	66	31	70	98	73	149	30	5,4
SS.FE.DSS U 150	UNC 1" 1/2-6	11,000	11,000	89	240	60	89	38	95	123	91	182	41	12,0